

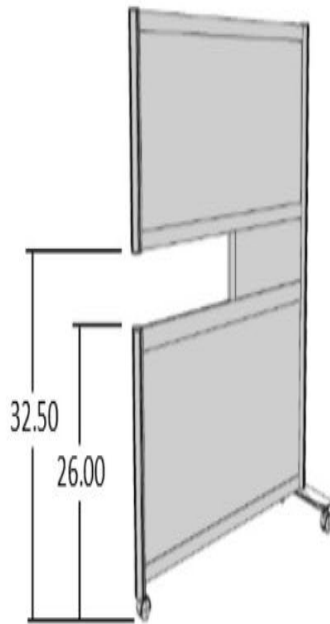
[Contact CSI Fullmer](#)

ALIGNED

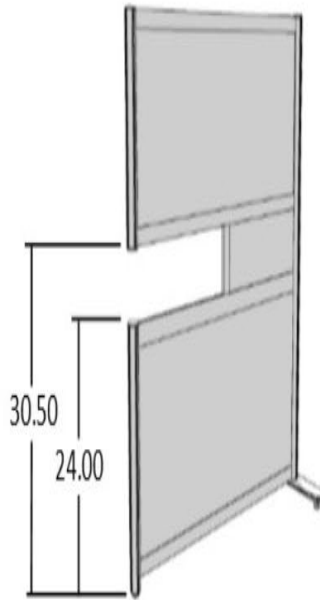
Scissor Screens - Excellent Solution For COVID Applications!



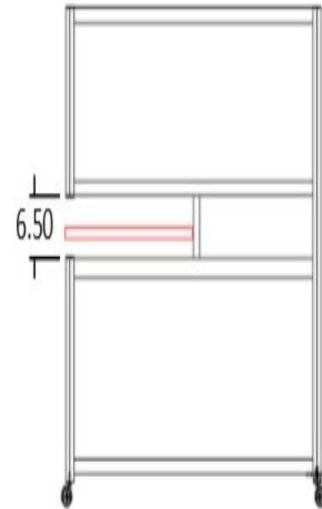
Scissor Screens provide rapid full space division between desks and workstations. The screens can be positioned into existing workstations via a 'notch' in the screen.



Caster Base



Leveller Base



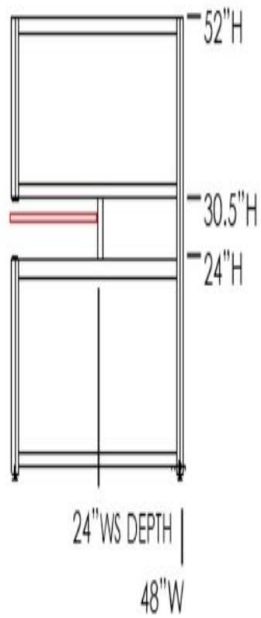
* Worksurface shown at 29"H

Sizing

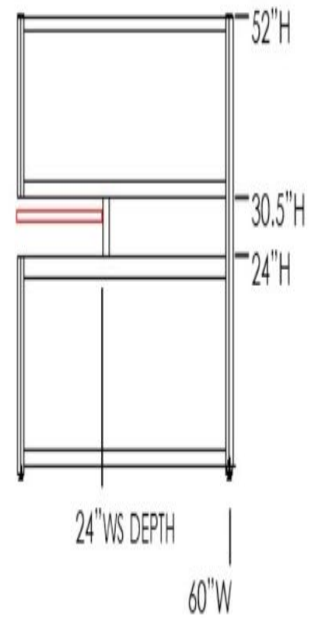
Scissor Screens

52" High with Leveler Glides

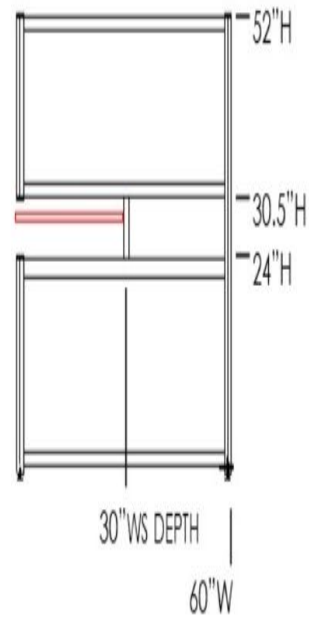
MSSPL524824



MSSPL526024

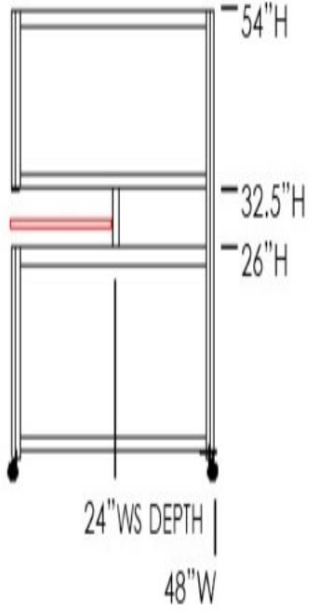


MSSPL526030



54" High with Casters

MSSPC544824



MSSPC546024

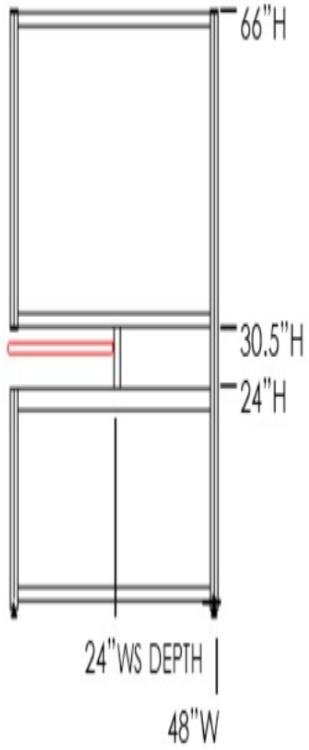


MSSPC546030

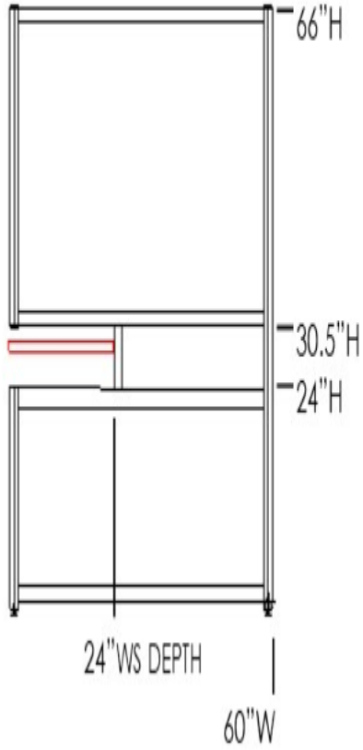


66" High with Leveller Glides

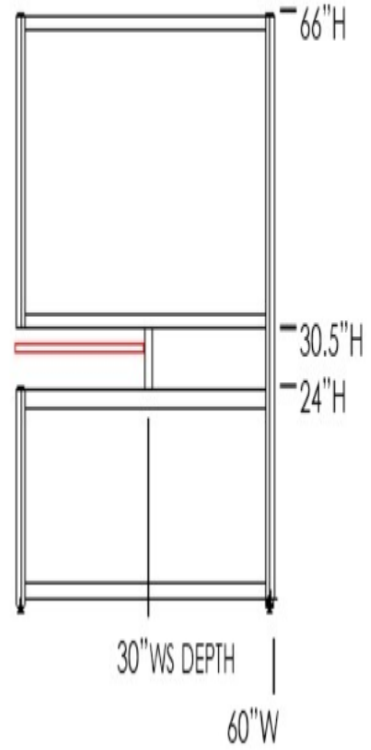
MSSPL664824



MSSPL666024

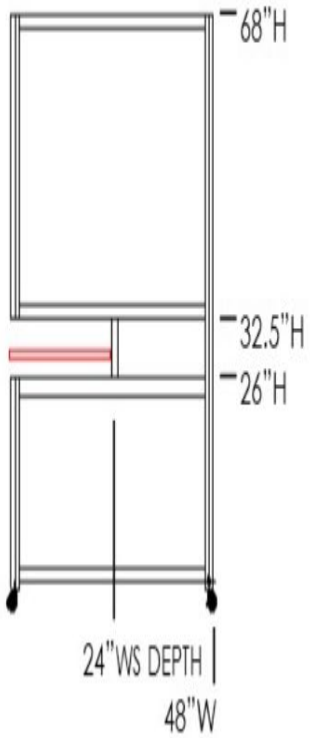


MSSPL666030

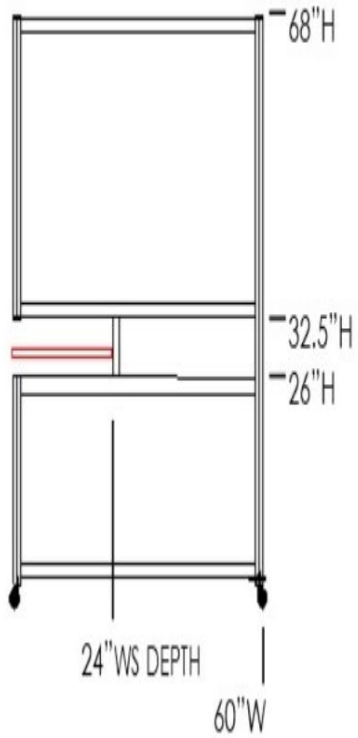


68" High with Casters

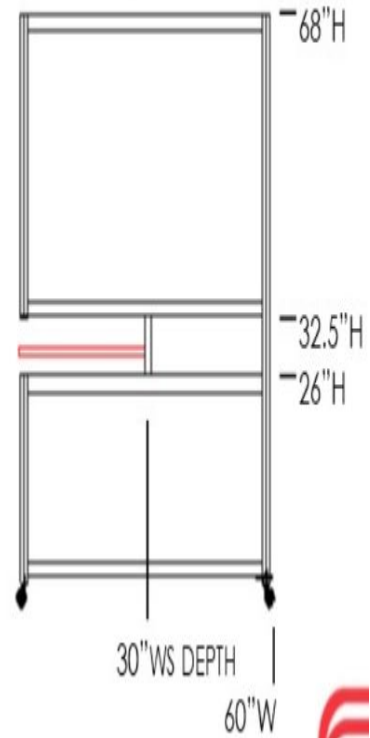
MSSPC684824



MSSPC686024



MSSPC686030



Features

- Foot and Single Post are Reversible
- Anodized Aluminum Frame
- 95% Recyclable
- Powdercoated Silver Metal Base

Finishes

Frame - Anodized

Upper Divider

AC1 - Clear Acrylic

AF1 - Frosted Acrylic

AW1 - White Opaque (Whiteboard)

SS03 - Silver Grey Softscape

SS04 - Charcoal Softscape

Lower Divider

AC1 - Clear Acrylic

AF1 - Frosted Acrylic

AW1 - White Opaque (Whiteboard)

***TFL** - Thermofused Laminate

Our Brands

HEKMAN
CONTRACT

 **Nightingale**

 **HOWARD
MILLER®**

 **barbican**


HALE
SOLID. SINCE 1907.

SHEV
CHAIR

 **fluid**
concepts
FLEXIBLE WORKSPACES



ROOM B

 **NEVERS**[®]
WORK IN STYLE

DURACARE
SEATING COMPANY

GROUPE
LACASSE

Have Questions, Or Need Samples? Contact Us

www.csifullmer.com